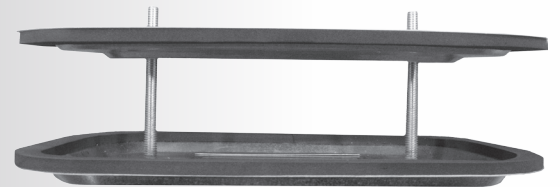
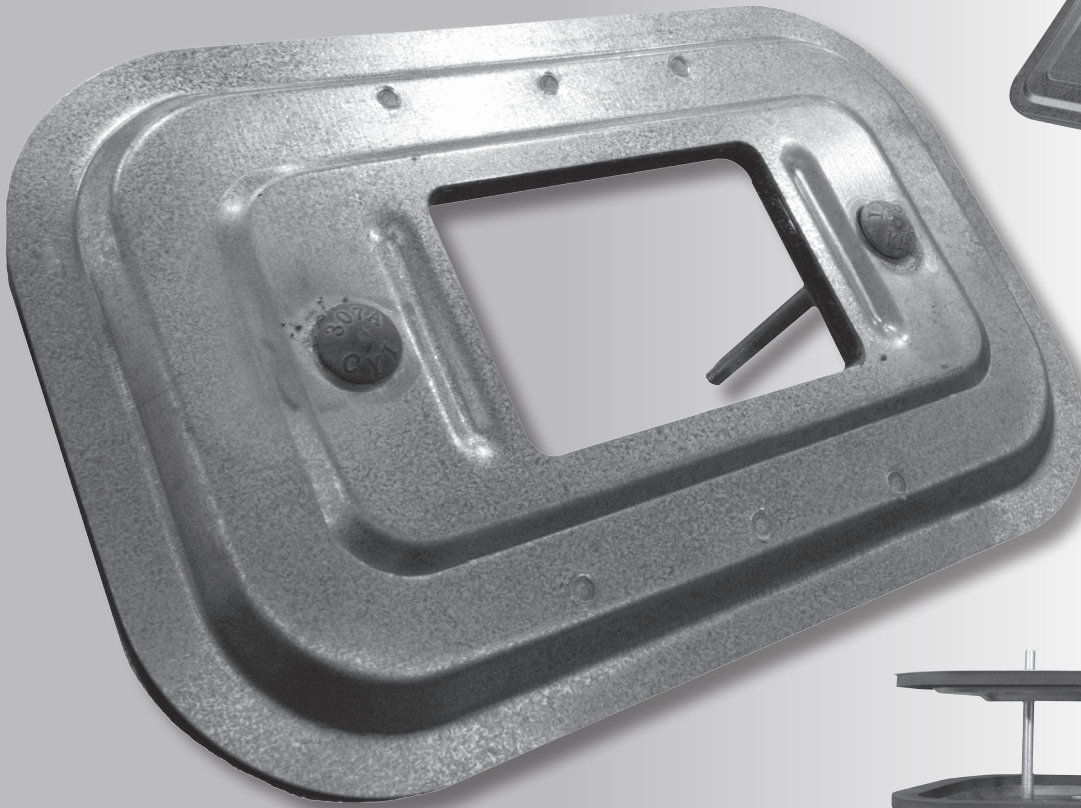


Ductware

DOUBLE PANED Observation Panel

By Ductmate



Effective For Viewing Working Ultra Violet Lights

Installed in air handling units with wall/panel thickness up to 76mm

- 254mm x 152mm with 102mm x 76mm viewport
- 406mm x 305mm with 203mm x 203mm viewport
- 2 layers of safety glass
- Virtually leak free up to 3487Pa
- No measuring necessary
(self-adhesive template provided)

Ductware®
Productivity solutions with green results

DOUBLE PANED Observation Panel

**Effective for viewing working
Ultra Violet Lights**

DESCRIPTION

The Double Paned Observation Access Panel provides a safe, effective means to view working ultra violet lights installed in air handling units with a wall/panel thickness of up to 76mm.

BASIC USE

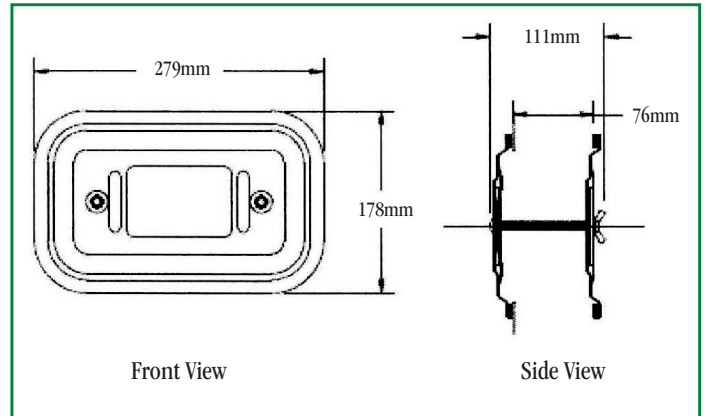
To provide a solid, leak proof panel that offers a simple installation and flexibility for air handling units with wall/panel thickness up to 76mm. It provides the ability to view the interior of the air handling unit through clear safety glass, eliminating the need to open the access panel, disconnect circuits, or risk exposure to ultra violet light.

SPECIAL CHARACTERISTICS

- 254mm x 152mm with 102mm x 76mm viewport
- 406mm x 305mm with 203mm x 203mm viewport
- 2 layers of safety glass
- Virtually leak free up to 3487Pa

TECHNICAL INFORMATION

- Panels**
The Double Paned Observation Access Panel consists of two layers of precision stamped hot-dipped galvanized steel.
- Gasket**
Closed cell neoprene gasket is UL94HF1 listed with a service temperature range of (ASTM D746) -29°C to 93°C. The gasket is permanently bonded to the inside of both panels to eliminate leakage.
- Wing Nuts**
Zinc plated steel wing nuts are easily turned by hand.
- Bolts**
102mm zinc plated steel carriage bolts are secured to the inner panel.
- Glass**
2 layers of 6.35mm safety glass permanently sealed with silicone
- Clips**
Hot-dipped galvanized steel clips mechanically fastens the safety glass in place.
- Template**
Self adhesive template is provided for the exact size of duct opening required.
- Insulation**
Polyurethane Foam Gasket with Pressure Sensitive Polyester/Acrylic Self Adhesive Tape. Insulation is attached to the outer panel/outside of the duct.
- Springs**
Zinc plated conical springs are installed between the inner and outer panel to facilitate opening.
- Knobs**
Red polypropylene molded knobs have threaded metal inserts to eliminate thread stripping. Knobs are UL94HB listed.
- Laminated Safety Glass**
Produced by bonding a polyvinyl butyral interlayer between two lites of glass under heat and pressure. Two panes of 1/4" (8" x 8") safety glass permanently sealed with silicone.
- Clips**
Hot-dipped 22 gauge galvanized steel clips mechanically fasten the safety glass in place. Reinforcement channel/glass clip combination securely holds glass in place and provides stiffness to the panel.



PACKAGING INFORMATION

Size (mm)	Part No.	Gauge
254 x 152	DO106GA4	22
406 x 305	DO*1612GA	22

SPECIAL CHARACTERISTICS

- Peel backing off template and apply to duct
- Cut opening in duct as shown by template
- Loosen wing nuts, but do not remove
- Insert panel into opening sliding at an angle and center in opening with wing nuts on inside of panel
- Finger-tighten wing nuts to secure panel in place

LIMITED PRODUCT WARRANTY

Ductmate warrants that the Double Paned Observation Panel when properly installed and maintained, will be free from defects in material and workmanship, and will comply with all written specifications made by Ductmate at the time of sale. Ductmate's warranty shall run for a period of one year from the date of manufacture.

Warranty Limitation: The warranty stated above is in lieu of all other warranties, express or implied, including but not limited to the implied warranties of MERCHANTABILITY AND FITNESS FOR A PARTICULAR PURPOSE. Although Ductmate may have suggested the product, or provided written or oral advice to the Purchaser, it is the Purchaser's responsibility to test and determine the suitability of Double Paned Observation Panel, for the intended use and purpose, and Purchaser and/or its customer assumes all risk and liability whatsoever regarding such suitability.

Limitation of Liability: In the event of a breach of the above warranty, Ductmate's sole obligation, and Purchaser's sole and exclusive remedy, shall be, at Ductmate's option, repair or replacement of any defective products, or refund of an applicable portion of the purchase price. Ductmate shall have no liability for costs of removal or re-installation of the product. The Purchaser agrees that no other remedy, including but not limited to loss of profits, loss sales, injury to person or property, or any other special, incidental or consequential damages, shall be available to the Purchaser for any claim arising out of this Agreement, regardless of whether such claim is made in contract or in tort, including strict liability in tort. In no event will Ductmate be obligated to pay damages to the Purchaser in any amount exceeding the purchase price that the Purchaser paid to Ductmate for the allegedly defective product.

Ductware[®]

Productivity solutions with green results

AUSTRALIA: 1300 DUCTWARE(3828 9273)

NZ:+64 07 571 5467

www.ductware.com.au

sales@ductware.com.au